

National University of Singapore  
School of Computing  
CS3243: Introduction to Artificial Intelligence  
Tutorial 2

**Readings:** AIMA Chapter 3, Sections 3.1 – 3.5

1. The Missionaries and Cannibals problem is usually stated as follows (refer to page 114 of the textbook). Three missionaries and three cannibals are on one side of a river, along with a boat that can hold one or two people. Find a way to get everyone to the other side, without ever leaving a group of missionaries in one place outnumbered by the cannibals in that place. Give the representation of a state in this problem and define its actions (ignoring the possibility of illegal states).
2. Consider the vacuum world problem with the state space shown in Figure 1. With the state numbers assigned in Figure 4.9 (page 134) of AIMA, let the initial state be state 1 and the goal state be either state 7 or state 8. Assume that the order of expansion of actions is S, R, L.

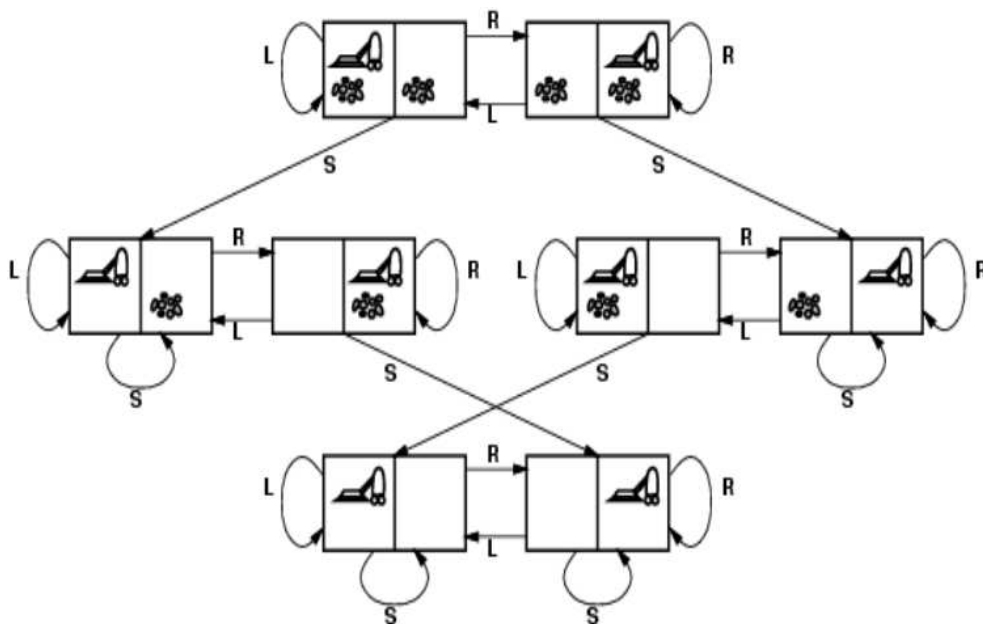


Figure 1: The state space for the vacuum world.

- (a) Give a trace of the breadth-first search algorithm in the style of Figure 3.12 of AIMA (page 82). That is, show the search tree at each stage (all repeated states are eliminated).
- (b) Give a similar trace of the depth-first search algorithm.
- (c) Which of these two search algorithms is better for this problem? Why? Is one search strategy always better than the other in general?

- (d) Give similar traces of breadth-first search and depth-first search when the order of expansion of the actions is R, L, S.
3. Sorting as Searching. We can sort a list of objects using only the operation of swapping two objects in the list. With this in mind, can you cast the sorting problem as a searching problem?
- Draw the state space when sorting the list of numbers (2,3,1) in ascending order. What is the minimum number of swaps required?
- Is the state space fully observable? Deterministic? Episodic? Static? Discrete? Justify your answers when necessary.
4. Describe a state space in which iterative deepening search performs much worse than depth-first search.
5. Consider the graph shown in Figure 2. Let S be the initial state and G be the goal state. The cost of each action is as indicated.
- Give a trace of uniform-cost search.
  - When A generates G which is the goal with a path cost of 11, why doesn't the algorithm halt and return the search result since the goal has been found? With your observation, discuss how uniform-cost search ensures that the shortest path solution is selected.

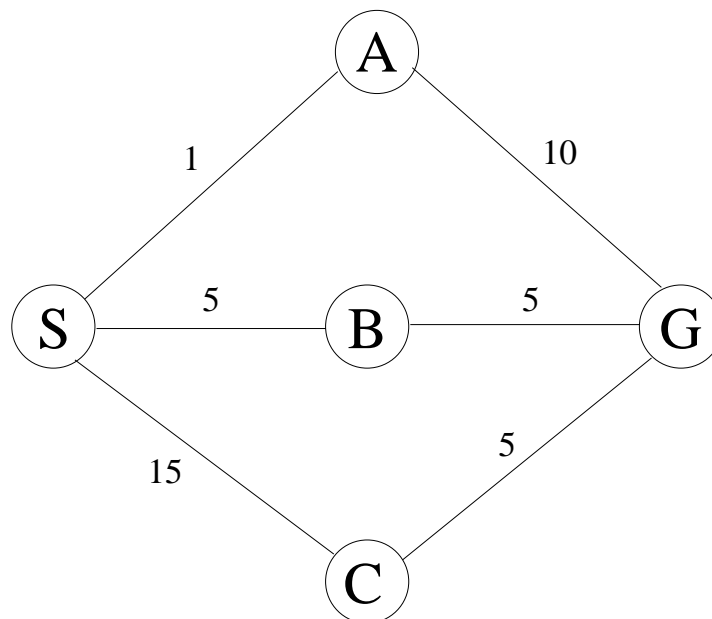


Figure 2: Graph of routes between S and G.